



POWER WHAT PROTECTS US

Your Guide to Deploying Security
Technology Off-Grid with Gridless

GRIDLESS POWERS SECURITY TECHNOLOGY IN THE MOST CRITICAL AREAS.

LOCATION, LOCATION, LOCATION

Gridless offers a complete power and communications solution, built to take your security cameras and other essential tech wherever they're needed most. No infrastructure means no limitations. Easily deploy your security tech anytime, anywhere.

High Capacity, Long Life LiFePO4 Battery

- + 10+ year battery cycle life
- + Up to 1 week of runtime off a single charge without solar

24/7 Continuous Solar Operation

- + 1-4 cameras solar operation
- + Optional AC charging available for grid or generator charging

Next-Gen Connectivity

- + 4G or 5G cellular maintains cloud connection from anywhere
- + Wi-Fi options also available if local networks are available

Rapid Deployment, Easy Installation

- + Compact 25lbs or 40lbs NEMA pole mount enclosure
- + Quick and simple mount system for easy install



A 38% REDUCTION IN CRIME CITYWIDE

“The instant eye on the crime in the area has been huge for us. It has definitely enhanced the quality of investigations that we do here in the city. It was an easy sell to our council and our community loves it.”

Donald Reid

Deputy Chief - Hopewell, VA Police Department



Tackle crime with technology.

Implement surveillance cameras, access control, sensors, gunshot detection, alarms, speakers, and more.



Elevate and enhance public safety.

Create safer communities where people can live, work, and play with a sense of security and confidence.



Get crucial real-time insights.

Equip first responders with data, so they're prepared upon arrival to potentially dangerous scenarios.



Significantly lower deployment costs.

Eliminate the complicated and expensive process of protected cabling or trenching.



Rapidly accelerate project timelines.

Spend less time on slow approvals and get your critical security tech deployed faster.



Actively deter criminal activity.

Signal to thieves, vandals, and trespassers they're under surveillance, effectively reducing crime.

FULLY CUSTOMIZABLE KITS

Deployment conditions vary, so Gridless kits come in many different forms to power through any situation. We can add or subtract battery or solar size, connectivity, and other key features, providing a wide range of capabilities with different configurations.



BATTERY SIZING



SOLAR OR AC



MODEM OR P2P



CAMERA TYPES & QTY.

FIND THE
STEP-BY-STEP
PROCESS NEXT.

EVERY UNIT COMES EQUIPPED WITH gMS™

Gridless gMS is a Remote Management System powered by advanced AI, delivering deep insights into your system's functionality. This intelligent platform enables you to optimize performance, extend longevity, and enhance safety by leveraging Gridless' cutting-edge technology and innovative processes.

 gms.gridless.com

- + Map your units
- + Remote power cycle
- + Track performance data
- + Monitor site conditions
- + Get instant alerts
- + Adjust in real-time
- + Streamline troubleshooting
- + Access data on-the-go



1. SELECT YOUR MOUNT:



POLE



MAST



WALL



TRAILER

2. SELECT YOUR SOURCE:



SOLAR



RELIABLE AC



INTERMITTENT AC



BATTERY ONLY

3. SELECT YOUR CONNECTION:



CELLULAR



P2P



P2P W/ LTE FAILOVER



**Need help setting
up your system?**

We offer expert
installation for all types
of security equipment.

WHY GO **GRIDLESS?**



No Infrastructure Constraints

We make it easy to bypass the hassle and high cost of trenching and complex wiring.



Rapid Deployment

The ease of installation speeds up project timelines and gets you immediate coverage.



Compact and Cost-competitive

Our economical, streamlined kit is a fraction of the cost of other cumbersome solutions.



10+ Year Battery Cycle Life

Gridless batteries are hardened and reliable, engineered to endure 10+ years.



Universal Camera/VMS Compatibility

Our system seamlessly integrates with major camera brands and VMS platforms.



Powerful Partnerships

We leverage strong industry relationships to build you complete security suites.

We're always here to help. Contact us today to find the perfect solution for you.



866-232-8516



info@gridless.com



www.gridless.com



TECH SPECS

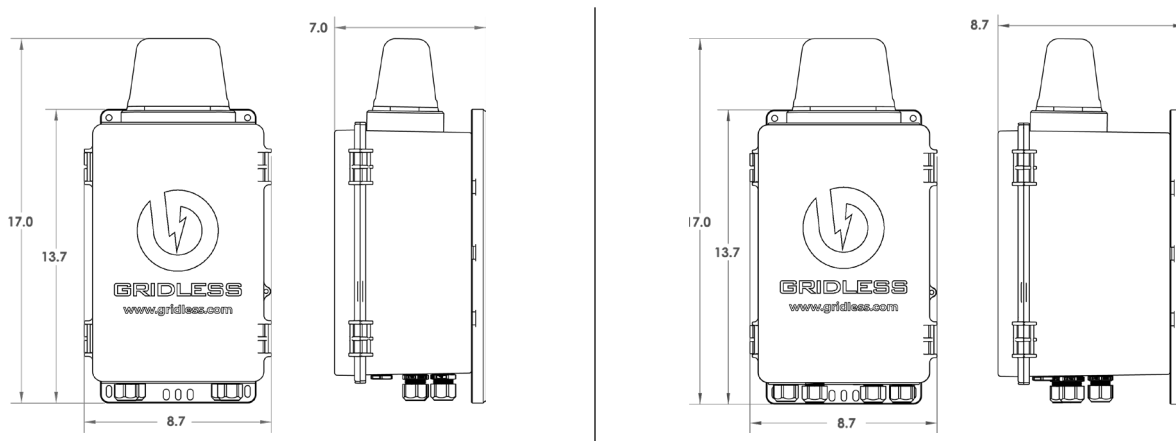
General

Solar	Plug and Play Automatic Solar Charge System for Up to 2 Panels
PoE Outputs	Qt. 1 Mode B 48V Passive PoE Qt. 4 802.3at PoE Qt. 1 802.3bt PoE++ Custom
DC Outputs	Direct 12VDC and 48VDC Output Available
Enclosure	NEMA 4x Enclosure with IP67 Connectors and Cable Glands
Operating Range	-10°C - 50°C Nominal Operating Range, -40°C - 50°C Extended Operating Range

Models

GS1		GS2
1 LiFePO4	Battery Qty.	2 LiFePO4
25lbs.	Weight	40lbs.
17.0" x 8.7" x 7.0"	Dimensions	17.0" x 8.7" x 8.7"

Dimensions



Size and shape of antenna may vary. See back page for solar panel specs.



GRIDLESS

LEADING THE CHARGE IN BATTERY TECH

Gridless drives innovation in battery technology, crafting cutting-edge solutions for enterprise and government clients. We design and manufacture next-gen, sustainable systems that empower organizations to tackle their toughest power challenges with confidence.



Assembled in the U.S.

Proudly constructed in-house with American quality and craftsmanship.



Energy for Every Agency

We've had the privilege of working with all branches of the U.S. military.



Visit Us On The Web
www.gridless.com



Phone
866-232-8516
M-F 9:00-5:00 EST



HQ
7905 Browning Rd., Ste. 104
Pennsauken, NJ 08109



Email
info@gridless.com
support@gridless.com

SOLAR PANEL SPECS

Rating 220W

Efficiency 22.4%

Size 56.69" x 30.12" x 1.38"

Weight 26.62lbs

Warranty

Power 25 Year

Workmanship 2 Year

