

# GRIDLESS SENTRY

**Self-Powered,  
Cloud-Connected,  
Uninterrupted Security:**  
No Wires, Servers, or Infrastructure.



**POLE**



**MAST**



**WALL**



**TRAILER**





# GRIDLESS SENTRY

The Gridless Sentry offers cutting-edge battery and connectivity solutions, powering security cameras and other security technology anytime, anywhere. Our standard kit includes a battery, modem, antenna, and PoE output in one easy-to-deploy enclosure. It can be powered with solar or AC and customized to fit your needs.

**FAST**  
& Easy Setup

  
No NVR



**4G OR 5G**  
Connectivity

  
Runtime

## High Capacity, Long Life LiFePO<sub>4</sub> Battery

- + 3000+ cycle life
- + Up to 1 week of runtime off a single charge without solar

## 24/7 Continuous Solar Operation

- + 1-4 cameras solar operation
- + Optional AC charging available for grid or generator charging

## Connectivity

- + 4G or 5G cellular maintains cloud connection from anywhere
- + WiFi options also available if local networks are available

## Easy to Install, Durable

- + 25lbs or 40lbs NEMA 4x pole mount enclosure
- + Quick and simple mount system for easy install

## gMS - Gridless' Remote Management System

- + Real-time data about system performance
- + Alert notifications about unit status
- + Local site conditions like temperature and weather
- + System stats on-the-go with the mobile site





# GRIDLESS SENTRY

**ENGINEERED**  
CUSTOM, COMPLETE SOLUTION

NOT

**OFF-THE-SHELF**  
PARTS COMBINED IN A BOX

## Gridless Engineered Battery

Fully tested, directly sourced LiFePO4 cells

Custom BMS ensures safe operation and flawless cell balancing to maintain performance over a **5-10 year operating life**

## Gridless Engineered Power Converters

Ensure high efficiency conversion at all power levels and extremely low idle power draw

Support up to **50% more equipment** from similarly sized batteries and solar panels

## Gridless Engineered System Controller

Ensures extremely low sleep currents when the battery is fully drained, preventing bricking

Centralized monitoring of temperature, current, voltage, SOC, & more ensure safe operation

**Keeps the system operating properly under challenging and harsh conditions**

VS

## OTS Lead Acid or LiFePO4 Battery

Unknown, unverified cell quality and origin

Limited (or no) BMS leads to poor cell balancing, capacity degradation, safety risks, and a **1-3 year operating life**

VS

## OTS Power Converters

Offer limited efficiency and high idle power draws, leading to poor performance

Support up to **50% less equipment** from similarly sized batteries and solar panels

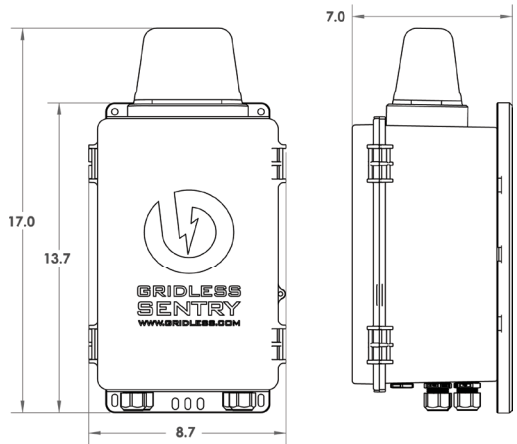
VS

## No System Controller

High sleep currents can lead to irreversible battery damage if the battery is drained

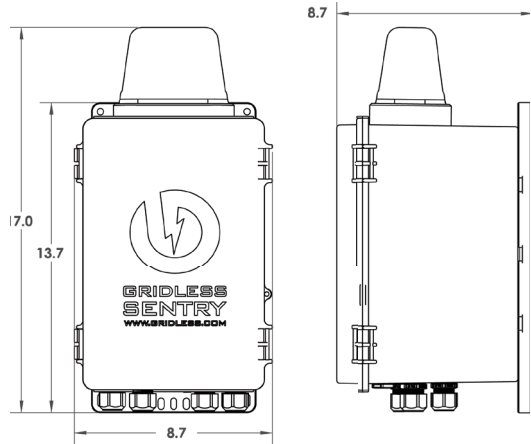
Individual devices can self-protect, but not overarching system awareness

**Could lead to unexpected failures and pre-mature system death**



**SENTRY 1**

**DESIGNATION**



**SENTRY 2**

Long Lasting Custom LiFePO4 Battery

1

**INTERNAL BATTERY QT.**

2

Plug and Play Automatic Solar Charge System for up to 2 panels

Configurable outputs - Qt. 1 Mode B 48V Passive PoE | Qt. 4 802.3at PoE | Qt. 1 802.3bt PoE++ | Custom

Direct 12VDC and 48VDC output available

NEMA 4x Enclosure with IP67 connectors and cable glands

-10C - 50C Nominal Operating Range, -40C - 50C Extended Operating Range

25lbs

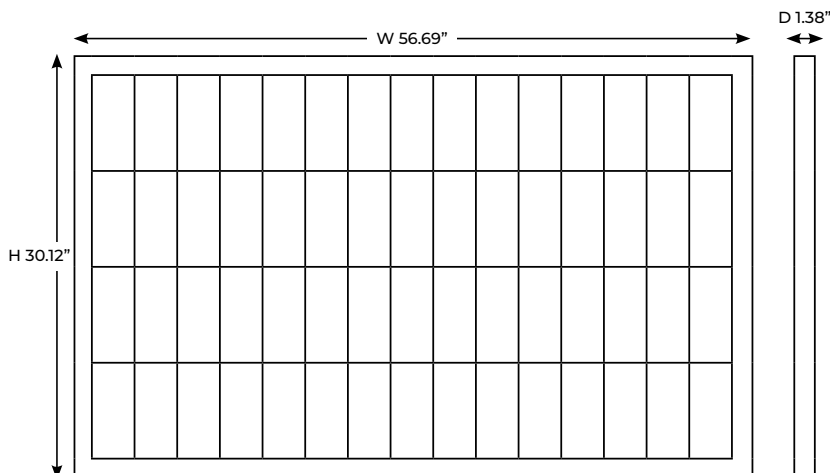
**WEIGHT**

40lbs

17.0" x 8.7" x 7.0"

**DIMENSIONS**

17.0" x 8.7" x 8.7"



**SENTRY SOLAR PANEL**

**RATING** 220W

**EFFICIENCY** 22.4%

**SIZE** 56.69" x 30.12" x 1.38"

**WEIGHT** 26.62lbs

**WARRANTY**

**POWER** 25 Year

**WORKMANSHIP** 2 Year