



  
**GRIDLESS**  
[www.gridless.com](http://www.gridless.com)

# POWER WHAT PROTECTS US

A Comprehensive Guide to Taking Security  
Technology Off-Grid with the Gridless Sentry

# THE **GRIDLESS SENTRY** POWERS SECURITY TECHNOLOGY IN THE MOST CRITICAL AREAS.

## **LOCATION, LOCATION, LOCATION**

The Sentry is a complete power and communications solution, built to take your security cameras and other essential tech wherever they're needed most. No infrastructure means no limitations. Easily deploy your security tech anytime, anywhere.

## **High Capacity, Long Life LiFePO4 Battery**

- + 10+ year battery cycle life
- + Up to 1 week of runtime off a single charge without solar

## **24/7 Continuous Solar Operation**

- + 1-4 cameras solar operation
- + Optional AC charging available for grid or generator charging

## **Next-Gen Connectivity**

- + 4G or 5G cellular maintains cloud connection from anywhere
- + Wi-Fi options also available if local networks are available

## **Rapid Deployment, Easy Installation**

- + Compact 25lbs or 40lbs NEMA pole mount enclosure
- + Quick and simple mount system for easy install



## A **38% REDUCTION IN CRIME** CITYWIDE

“The instant eye on the crime in the area has been huge for us. It has definitely enhanced the quality of investigations that we do here in the city. It was an easy sell to our council and our community loves it.”

Donald Reid

*Deputy Chief - Hopewell, VA Police Department*



### Tackle crime with technology.

Implement surveillance cameras, access control, sensors, gunshot detection, alarms, speakers, and more.



### Elevate and enhance public safety.

Create safer communities where people can live, work, and play with a sense of security and confidence.



### Get crucial real-time insights.

Equip first responders with data, so they're prepared upon arrival to potentially dangerous scenarios.



### Significantly lower deployment costs.

Eliminate the complicated and expensive process of protected cabling or trenching.



### Rapidly accelerate project timelines.

Spend less time on slow approvals and get your critical security tech deployed faster.



### Actively deter criminal activity.

Signal to thieves, vandals, and trespassers they're under surveillance, effectively reducing crime.

# FULLY CUSTOMIZABLE KITS

Deployment conditions vary, so the Gridless Sentry comes in many different forms to power through any situation. We can add or subtract battery or solar size, connectivity, and other key features, providing a wide range of capabilities with different configurations.



BATTERY SIZING



SOLAR OR AC



MODEM OR P2P



CAMERA TYPES & QTY.

FIND THE  
STEP-BY-STEP  
PROCESS NEXT.

## EVERY SENTRY COMES EQUIPPED WITH gMS™

Gridless gMS is a Remote Management System powered by advanced AI, delivering deep insights into your system's functionality. This intelligent platform enables you to optimize performance, extend longevity, and enhance safety by leveraging Gridless' cutting-edge technology and innovative processes.

 [gms.gridless.com](https://gms.gridless.com)

- + Map your units
- + Track performance data
- + Monitor site conditions
- + Get instant alerts
- + Adjust in real-time
- + Access data on-the-go



## 1. SELECT YOUR MOUNT:



POLE



MAST



WALL

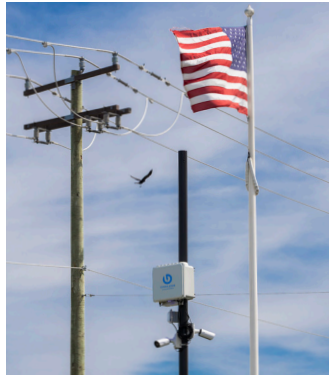


TRAILER

## 2. SELECT YOUR SOURCE:



SOLAR



RELIABLE AC



INTERMITTENT AC



BATTERY ONLY

## 3. SELECT YOUR CONNECTION:



CELLULAR



P2P



P2P W/ LTE FAILOVER



Need help setting  
up your system?

We offer expert  
installation for all types  
of security equipment.

# WHY GO **GRIDLESS?**



## **No Infrastructure Constraints**

We make it easy to bypass the hassle and high cost of trenching and complex wiring.



## **Rapid Deployment**

The ease of installation speeds up project timelines and gets you immediate coverage.



## **Compact and Cost-competitive**

Our economical, streamlined kit is a fraction of the cost of other cumbersome solutions.



## **10+ Year Battery Cycle Life**

Gridless batteries are hardened and reliable, engineered to endure 10+ years.



## **Universal Camera/VMS Compatibility**

Our system seamlessly integrates with major camera brands and VMS platforms.



## **Powerful Partnerships**

We leverage strong industry relationships to build you complete security suites.

**We're always here to help.** Contact us today to find the perfect solution for you.

 866-232-8516     [info@gridless.com](mailto:info@gridless.com)

 [www.gridless.com](http://www.gridless.com)



# SENTRY TECH SPECS

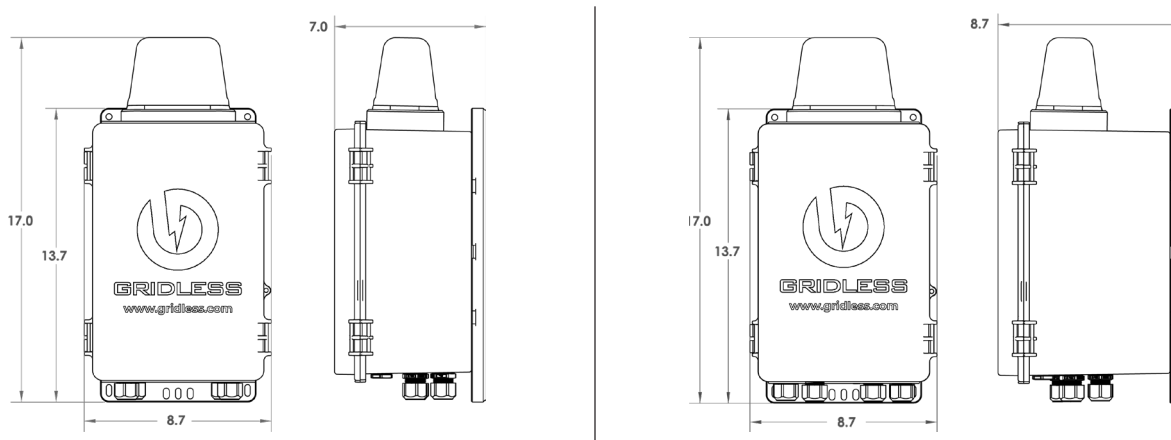
## General

<b>Solar</b>	Plug and Play Automatic Solar Charge System for Up to 2 Panels
<b>PoE Outputs</b>	Qt. 1 Mode B 48V Passive PoE   Qt. 4 802.3at PoE   Qt. 1 802.3bt PoE++   Custom
<b>DC Outputs</b>	Direct 12VDC and 48VDC Output Available
<b>Enclosure</b>	NEMA 4x Enclosure with IP67 Connectors and Cable Glands
<b>Operating Range</b>	-10°C - 50°C Nominal Operating Range, -40°C - 50°C Extended Operating Range

## Models

Sentry 1		Sentry 2
1 LiFePO4	<b>Battery Qty.</b>	2 LiFePO4
25lbs.	<b>Weight</b>	40lbs.
17.0" x 8.7" x 7.0"	<b>Dimensions</b>	17.0" x 8.7" x 8.7"

## Dimensions



*Size and shape of antenna may vary. See back page for solar panel specs.*



# GRIDLESS

## LEADING THE CHARGE IN BATTERY TECH

Gridless drives innovation in battery technology, crafting cutting-edge solutions for enterprise and government clients. We design and manufacture next-gen, sustainable systems that empower organizations to tackle their toughest power challenges with confidence.



### Assembled in the U.S.

Proudly constructed in-house with American quality and craftsmanship.



### Energy for Every Agency

We've had the privilege of working with all branches of the U.S. military.



Visit Us On The Web  
[www.gridless.com](http://www.gridless.com)



Phone  
866-232-8516  
M-F 9:00-5:00 EST



HQ  
7905 Browning Rd., Ste. 104  
Pennsauken, NJ 08109



Email  
[info@gridless.com](mailto:info@gridless.com)  
[support@gridless.com](mailto:support@gridless.com)

## SOLAR PANEL SPECS

Rating 220W

Efficiency 22.4%

Size 56.69" x 30.12" x 1.38"

Weight 26.62lbs

### Warranty

Power 25 Year

Workmanship 2 Year

